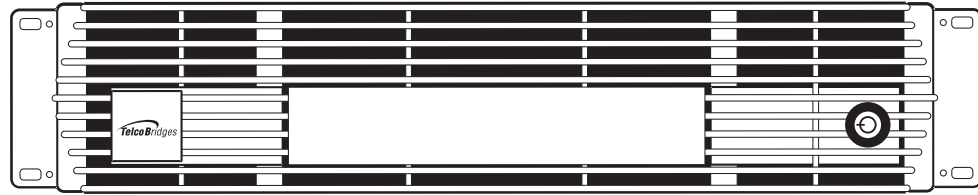
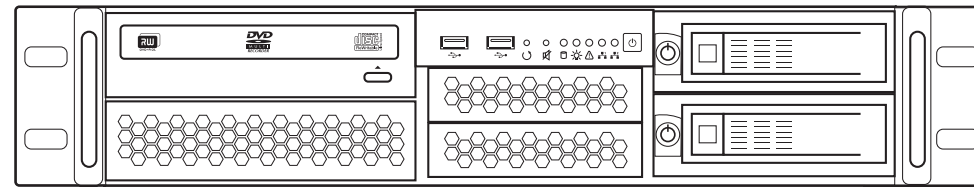


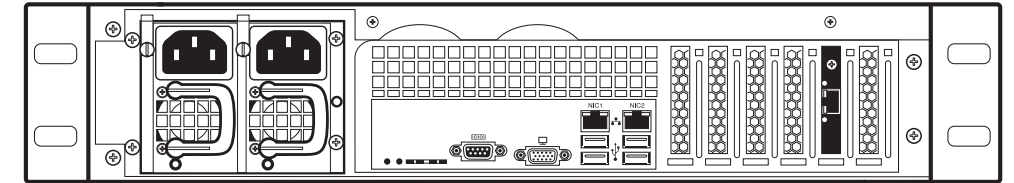
TMG7800-CTRL (front outer view)



TMG7800-CTRL front (inner view)



TMG7800-CTRL (rear view)



1

In the box, you will find:

- One (1) TMG7800-CTRL
- Four (4) keys
- One (1) front bezel
- Two (2) hard drives
- Two (2) power cords

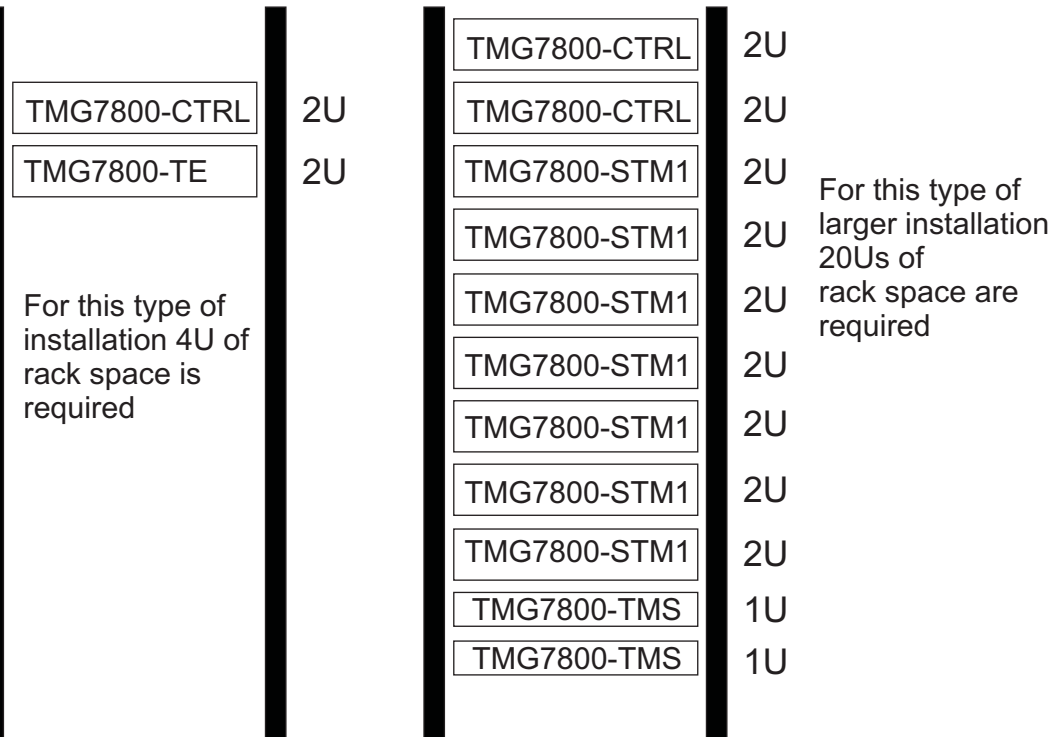
- One (1) product warranty
- One (1) important notice
- One (1) packing slip
- One (1) set of sliding rails and associated screws
- One (1) set of mounting brackets and associated screws

Items not included in this box that you will need:

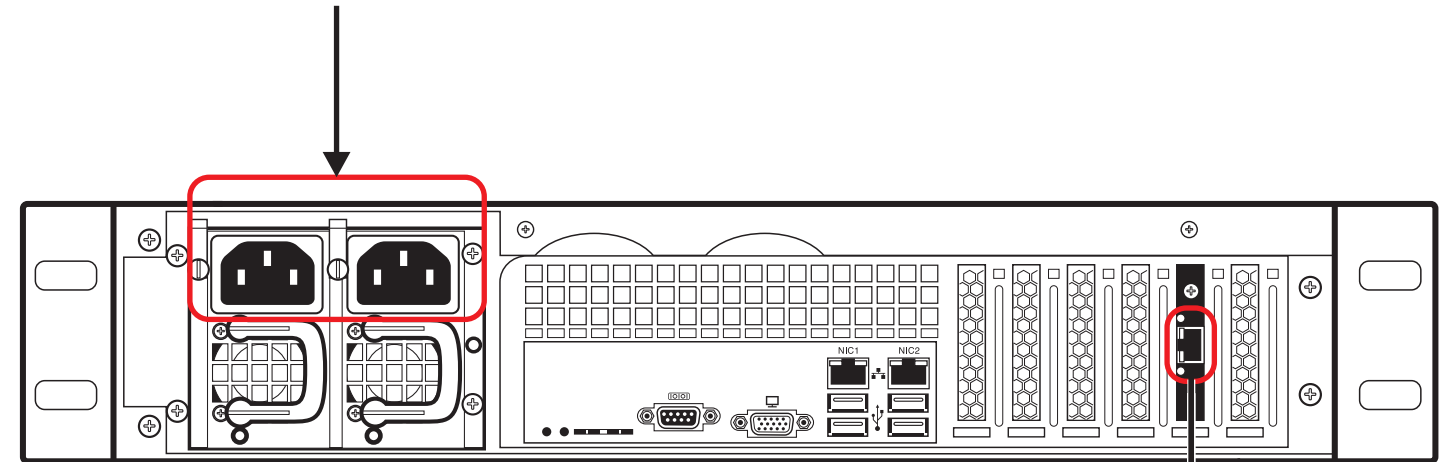
- Three (3) ethernet cables

2

Prerequisites: Equipment Rack Space



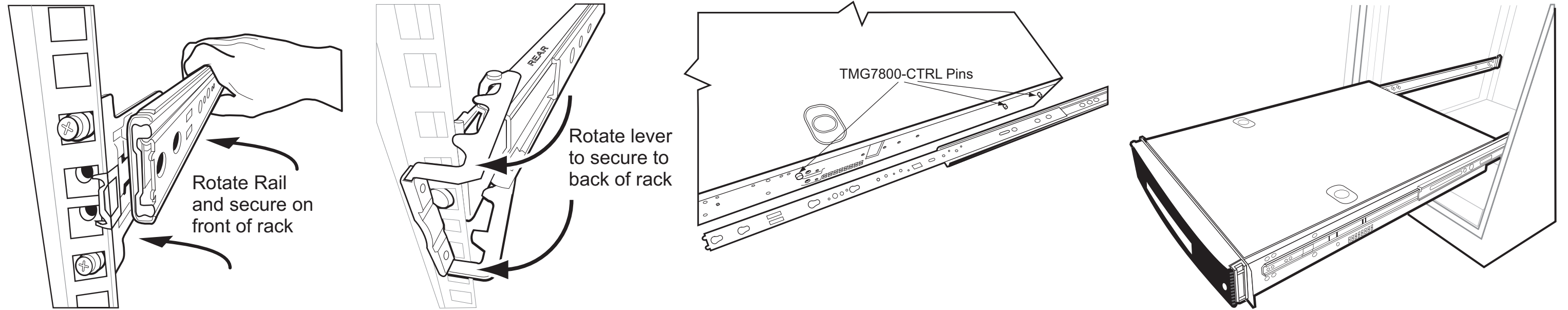
Prerequisites: Adequate Power Source



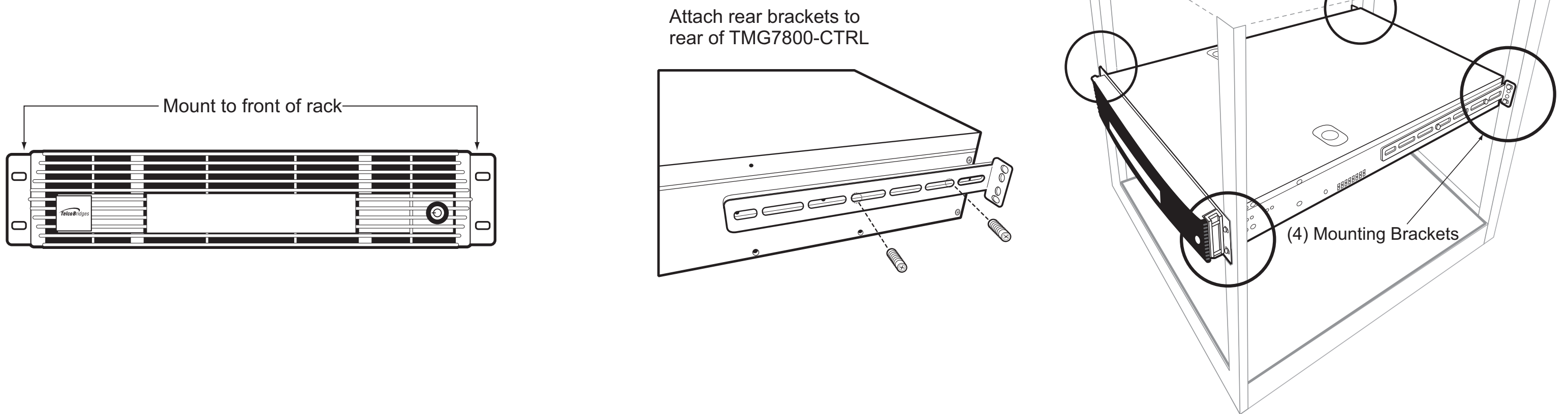
Prerequisites: IP Address for the Management Port

3

Rack Mounting Method 1: Sliding



Rack Mounting Method 2: Fixed

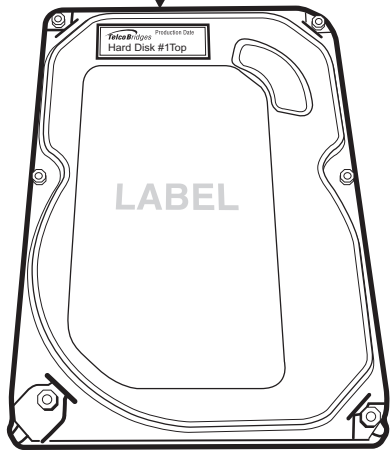


4

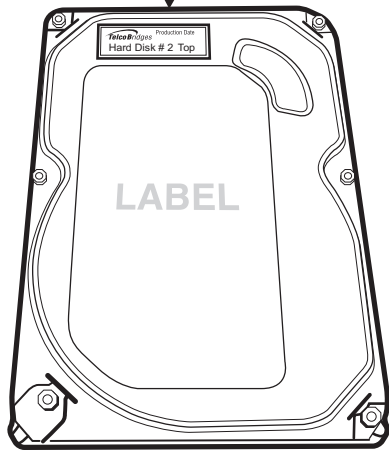
Install Hard Drives

A

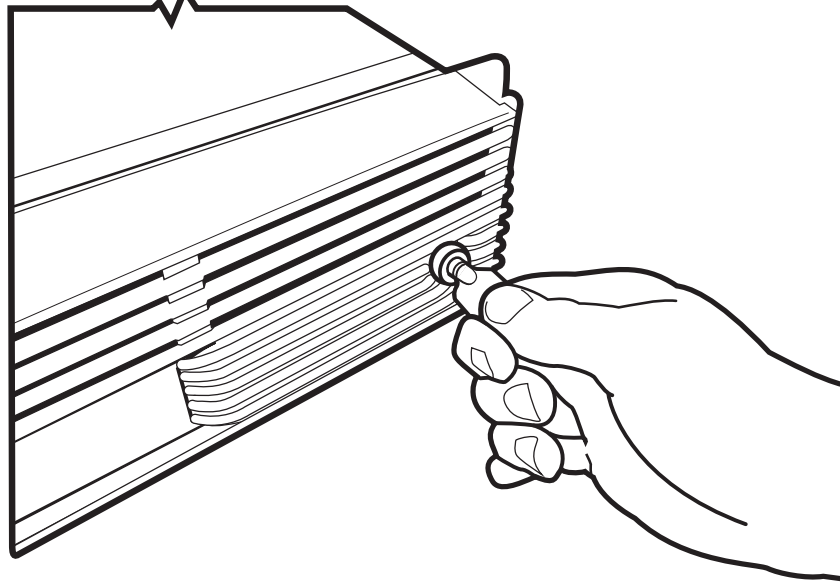
TelcoBridges Production Date
Hard Disk #1 Top



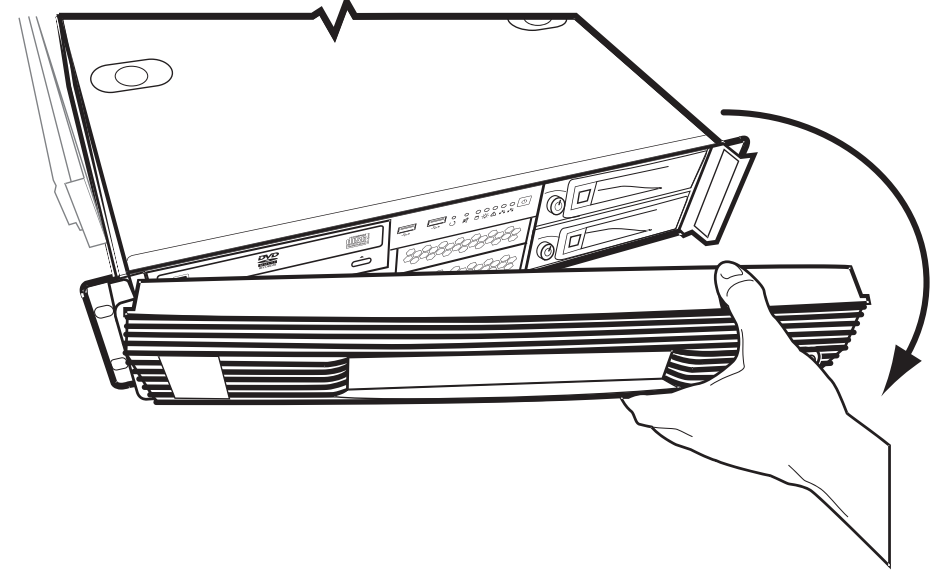
TelcoBridges Production Date
Hard Disk # 2 Top



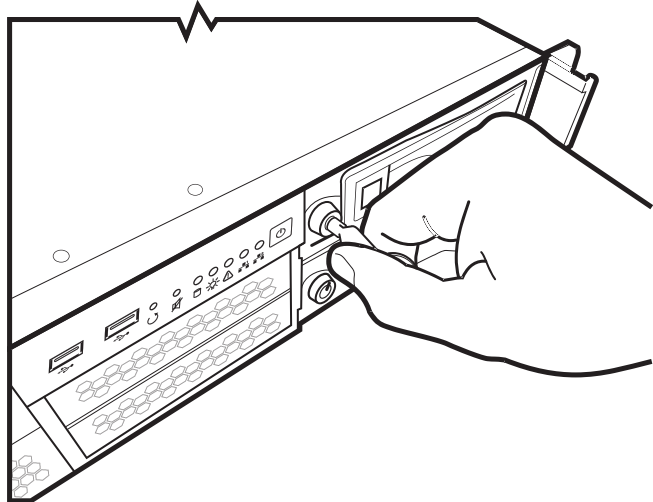
B



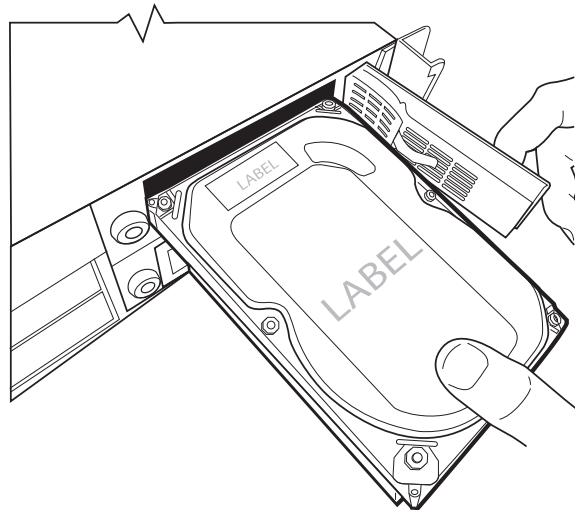
C



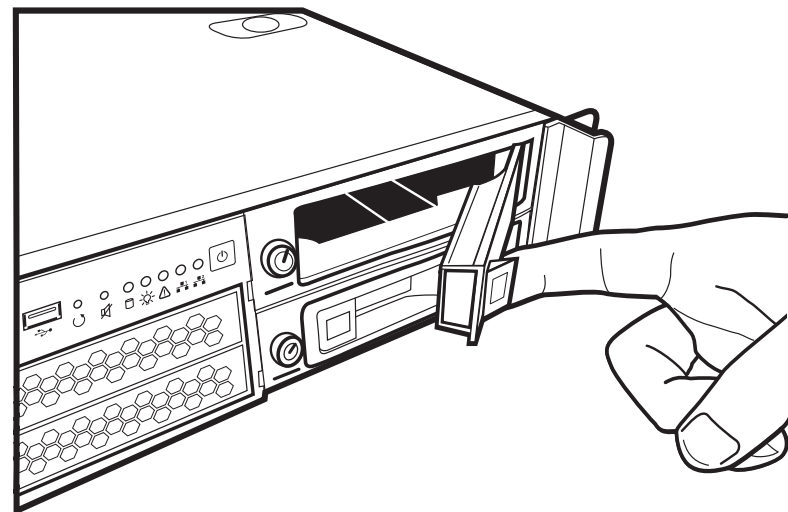
D



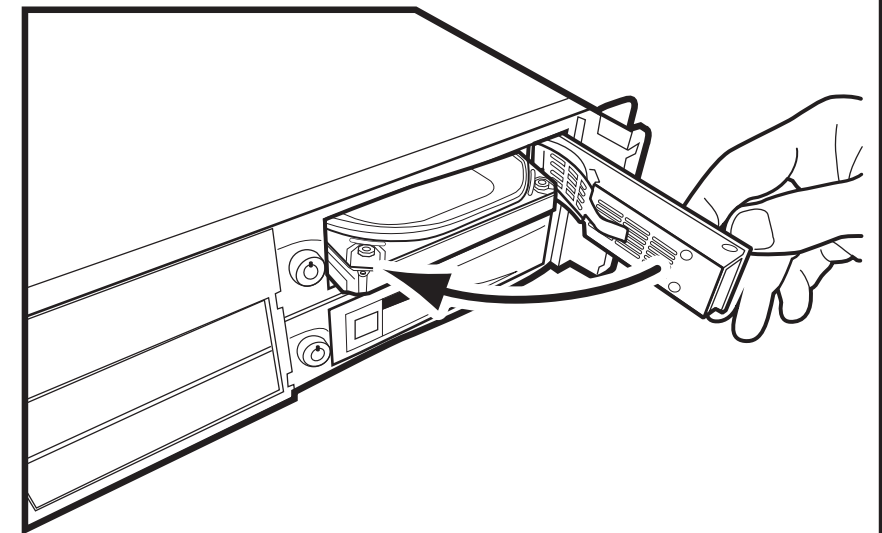
E



F

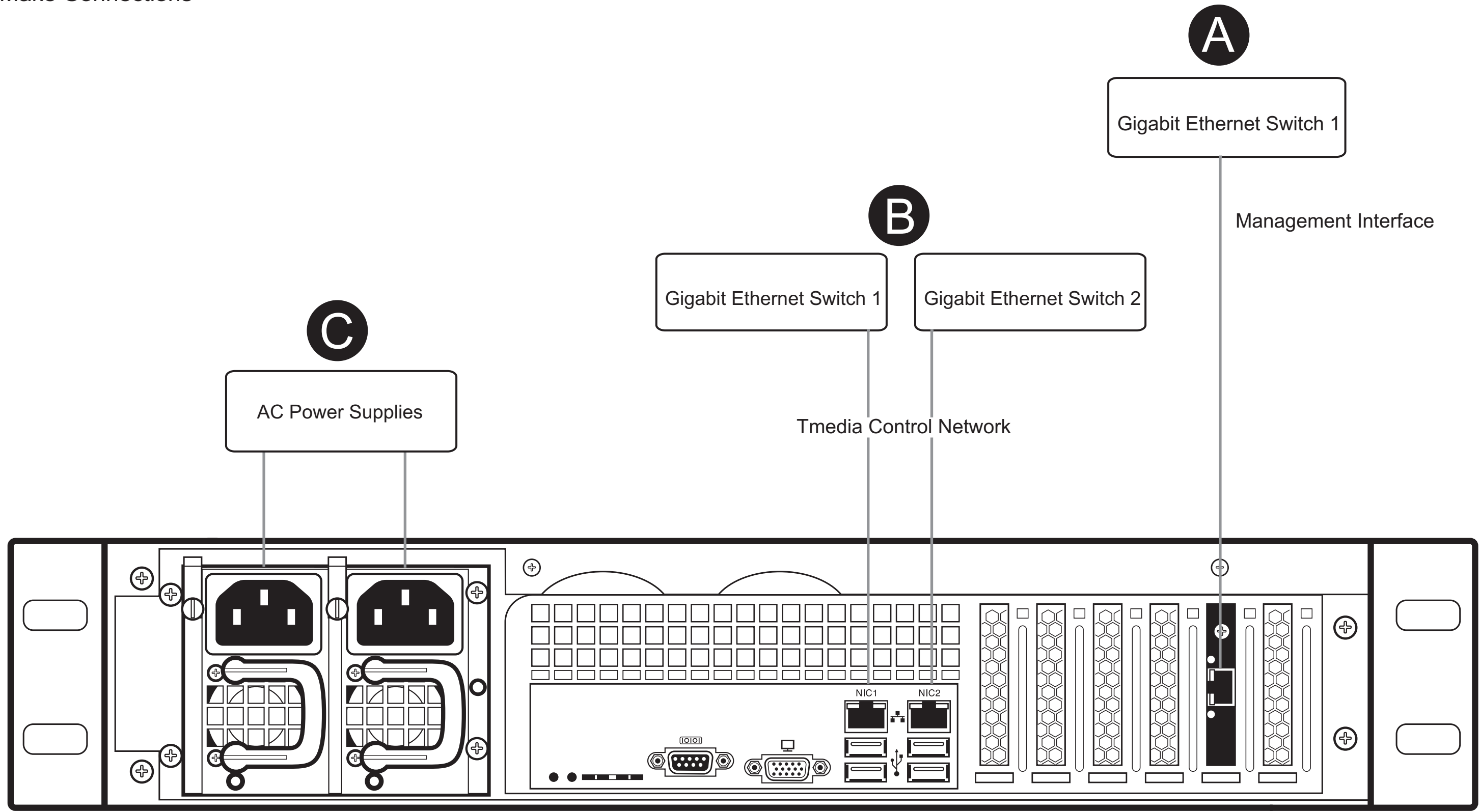


G



5

Make Connections



6

Set the Role

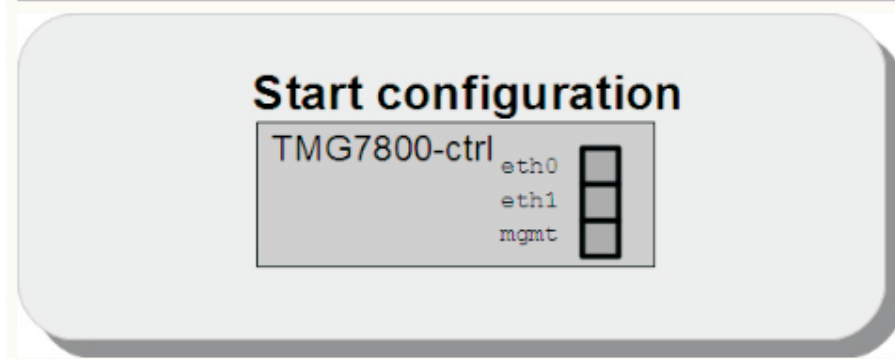
A

Welcome to the TelcoBridges Tmedia Web Portal!

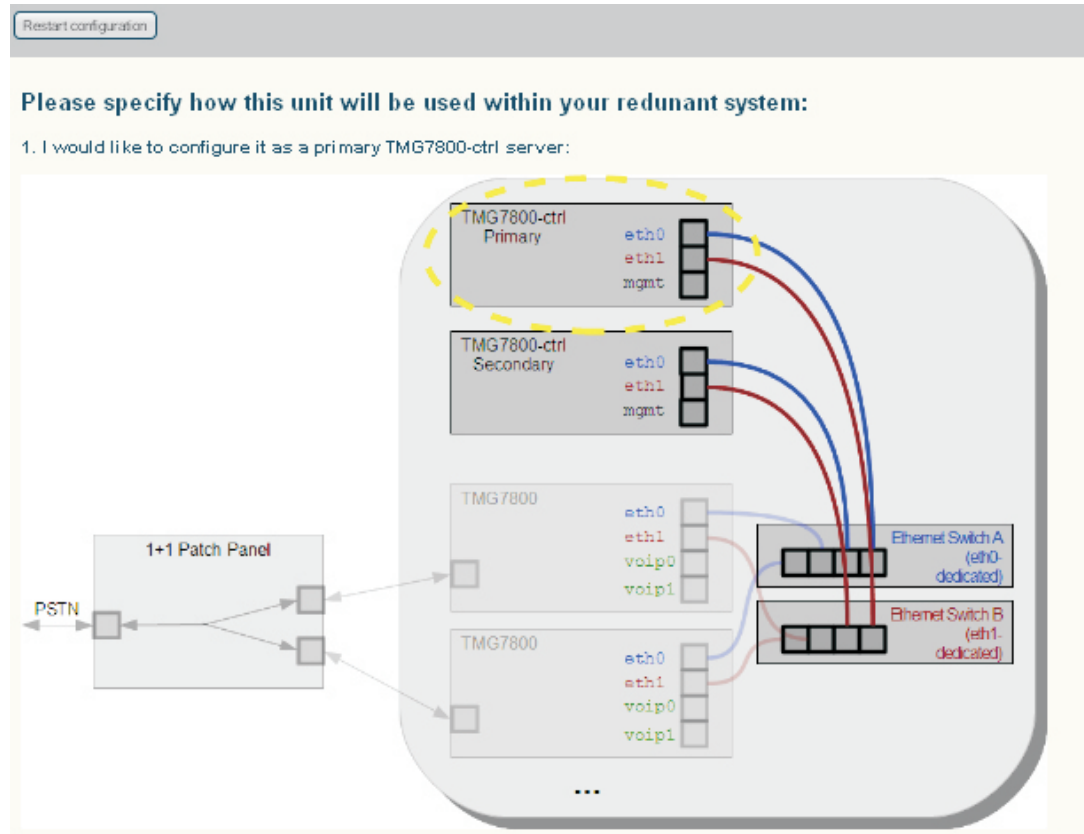
Please take the time to complete the following steps to ensure the proper, initial configuration of your TMG7800-ctrl server unit. For access to our Tmedia Installation Guides, visit [Tmedia Installation guides](#).

You are configuring the following TMG7800-ctrl server unit:

Model: **TMedia TMG7800-ctrl**
 Serial number: **srv-test-centos53-x64-1**
 Allowed modes: **primary or secondary**



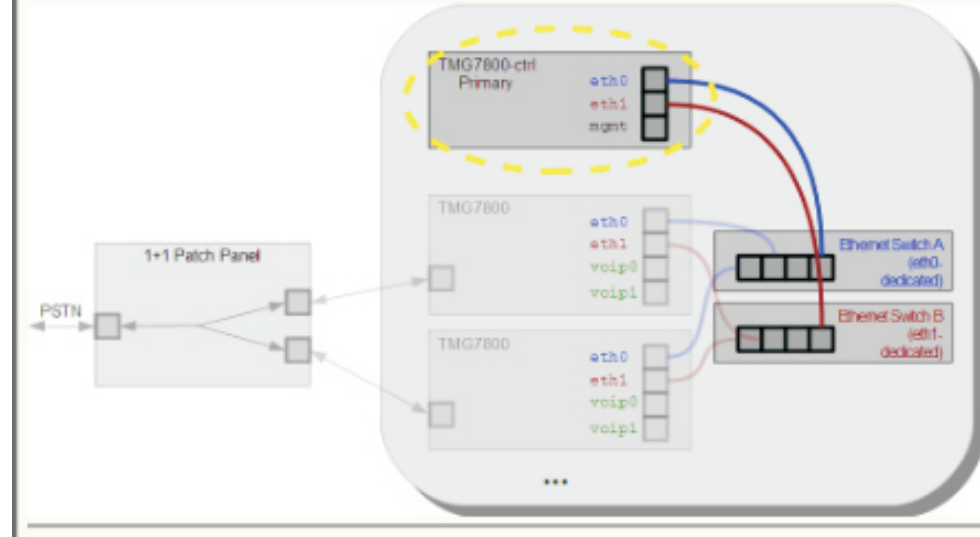
C



B

What would you like to do?

Configure this unit as the primary of a new redundant system:



D

Please validate that this TMG7800-ctrl unit is properly installed:

The TMG7800-ctrl units of a redundant system **MUST** be able to communicate with each other, and with all other units, through two of their redundant. Two dedicated Ethernet switches must be used, one for eth0, one for eth1. No other equipments, nor up-links, must be connected to these Ethernet switches, which are reserved for internal communication between the two TMG7800-ctrl units.

